

TECHNICAL INFORMATIONS

BERG

5W 2700K BRANCO

Luminária de encastrar, de elevada eficiência com design requintado.

Recessed, high efficiency luminaire with refined design.

Luminaria empotrable de alta eficiencia con diseño refinado.

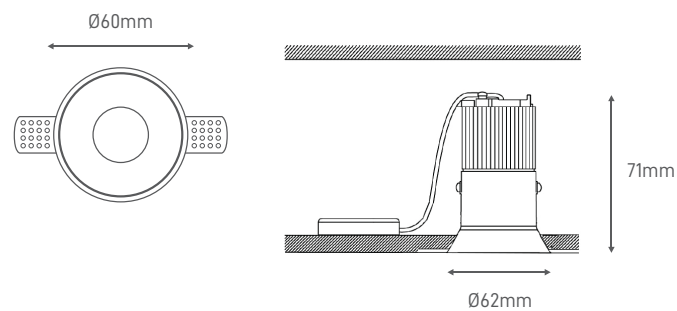


ILAR-00172

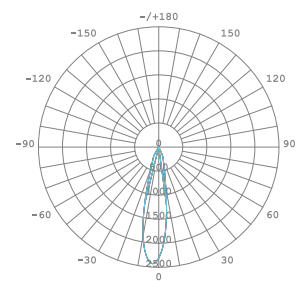
REFERENCE		DIMENSION & WEIGHT		PHOTOMETRICAL DATA	
Reference	ILAR-00172	Lenght	-	Total Luminous Flux	425lm
Led Type	CREE	Width	Ø60mm	Luminous Efficacy	85lm/w
Mounting Type	Recessed	Height	71mm	Beam Angle	24°
Body Material	Die Casting Aluminium	Weight	-	Colour Temperature	2700K
Housing Colour	White	Cut-out	Ø62mm	Colour Rendering Index	>80
Body Shape	Round	Packaging Unit	1	Colour Consistency	-
Nominal Lifetime (EOL end of life)	50.000H	Packaging Pcs	36 pcs	UGR	-
Dimmable	NO	Volume	-		
Driver Brand	Lifud				

ELECTRICAL AND OPERATING DATA		ENERGY LABEL & STANDARS		CERTIFICATIONS	
Nominal Wattage	5W	Energy Label	-	2014/30/EU (EMC Directive)	YES
Nominal Voltage	220-240V	Energy Consumption KWH/1000H	-	2014/35/EU (LVD Directive)	YES
Operating Frequency	50Hz	Type of Protection	IP20	ROHS	YES
Power Factor	≥0.9	Protection Class	I	ENEC	-
Operating Temperature	-20°C to +45°C	Protecion Class IK (shock resistance)	-	Warranty	3 YEARS
Starting Time 100% ON	0.0001s				
ON/OFF Cycles	100.000				

SIZE



BEAM ANGLE



Designed by Aronlight in Portugal. Made in PRC

