

## TECHNICAL INFORMATIONS

### RITZ

## 33W 4000K BRANCO

Projeto de encastrar ajustável (CREE LED 100LM/W, Tridonic Driver 50.000H), feixe de luz uniforme de 38°, rotação vertical de 45° e horizontal de 350° e baixo encadeamento (UGR <19).

Recessed adjustable projector (CREE LED 100LM/W, Tridonic 50,000H driver), uniform light beam of 38°, vertical rotation of 45° and horizontal of 350°, and low glaring (UGR <19).

Proyector de empotrar ajustable (CREE LED 100LM/W, Tridonic 50,000H driver), haz de luz uniforme de 38°, rotación vertical de 45° y horizontal de 350° y poco deslumbrante (UGR <19).



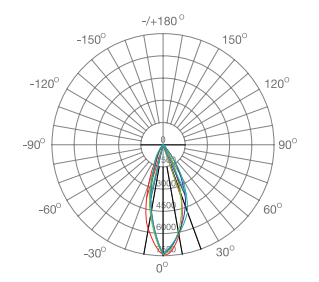
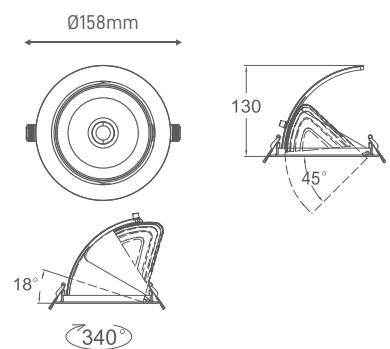
#### ILAR-00576

REFERENCE		DIMENSION & WEIGHT		PHOTOMETRICAL DATA	
Reference	ILAR-00576	Lenght	130.0mm	Total Luminous Flux	2812lm
Led Type	COB	Width	Ø158mm	Luminous Efficacy	82lm/w
Mounting Type	Recessed	Height	-	Beam Angle	38°
Body Material	Aluminium	Weight	1.04kg	Colour Temperature	4000K
Housing Colour	White	Cutout	145mm	Colour Rendering Index	>80
Body Shape	-	Packaging Unit	Carton box 12 pcs	Colour Consistency	<=4
Nominal Lifetime (EOL end of life)	35.000h	Gross Weight	13.3Kg	UGR	-
Dimmable	NO	Volume	58 dm <sup>3</sup>		

ELECTRICAL AND OPERATING DATA		ENERGY LABEL & STANDARS		CERTIFICATIONS	
Nominal Wattage	33W	Energy Label	A+	2014/30/EU (EMC Directive)	YES
Nominal Voltage	200-240V	Energy Consumption KWH/1000H	33 kWh	2014/35/EU (LVD Directive)	YES
Operating Frequency	50/60Hz	Type of Protection	IP20	ROHS	YES
Power Factor	0.9	Protection Class	II	Warranty	3 YEARS
Operating Temperature	- 30°C to + 40°C	Protecion Class IK (shock resistance)	IK03		
Starting Time 100% ON	0.0001 s				
ON/OFF Cycles	>15000				

#### SIZE

#### BEAM ANGLE



Designed by Aron Light in Portugal. Made in PRC

