

TECHNICAL INFORMATIONS

QUANT

90W 2700K BRANCO

A rotação de 340°, o difusor inovador de foco central de 36° aliados ao Led CREE de alta eficiência (100LM/W) fazem da linha Quant a escolha ideal para qualquer solução comercial.

The 340° rotation, the innovative 36° central focus diffuser coupled with the high efficiency CREE LED (100LM/W) make the Quant line the ideal choice for any commercial solution.

La rotación de 340°, el innovador difusor de foco central de 36° junto con el Led CREE de alta eficiencia (100LM/W) hacen de la línea Quant la opción ideal para cualquier solución comercial.



ILAR-00680

REFERENCE

Reference	ILAR-00680
Led Type	CREE COB
Mounting Type	Recessed
Body Material	Aluminium
Housing Colour	White RAL9016
Body Shape	Square
Nominal Lifetime (EOL end of life)	50.000H
Dimmable	NO

DIMENSION & WEIGHT

Lenght	475mm
Width	175mm
Height	110mm
Weight	3.2mm
Cutout	455x160mm
Packaging Unit	6pcs/carton
Gross Weight	20.9kg
Volume	54.5x43.5x43cm

PHOTOMETRICAL DATA

Total Luminous Flux	9270lm
Luminous Efficacy	108lm/w
Beam Angle	36°
Colour Temperature	2700K
Colour Rendering Index	>80
Colour Consistency	<=6
UGR	-

ELECTRICAL AND OPERATING DATA

Nominal Wattage	90W
Nominal Voltage	200-240V
Operating Frequency	50Hz
Power Factor	≥0.9
Operating Temperature	-20°C to +45°C
Starting Time 100% ON	0.0001s
ON/OFF Cycles	100.000

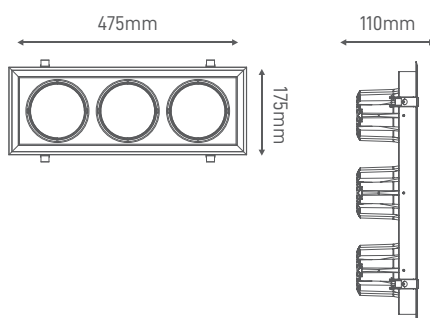
ENERGY LABEL & STANDARS

Energy Label	-
Energy Consumption KWH/1000H	-
Type of Protection	IP20
Protection Class	Class II
Proteccion Class IK (shock resistance)	-

CERTIFICATIONS

2014/30/EU (EMC Directive)	YES
2014/35/EU (LVD Directive)	YES
ROHS	YES
Warranty	3 YEARS

SIZE



BEAM ANGLE

