

## TECHNICAL INFORMATIONS

# NATAN TRACKLIGHT

## TRIFÁSICO GU10

Projektor Orientável Trifásico para lâmpada GU10.

Three-phase Rail Orientable Projector for GU10 lamp.

Proyector Orientables para lámparas GU10.

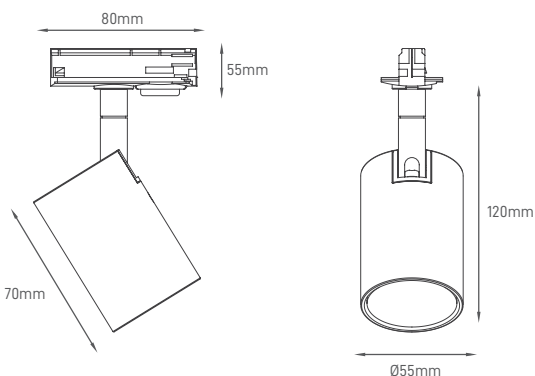


### ILAR-00950

REFERENCE		DIMENSION & WEIGHT		PHOTOMETRICAL DATA	
Reference	ILAR-00950	Lenght	70mm	Total Luminous Flux	-
Bulb	Only GU10 / Lamps not included	Width	Ø55mm	Luminous Efficacy	-
Mounting Type	Track Light	Height	120mm	Beam Angle	-
Body Material	Aluminium	Weight	-	Colour Temperature	-
Housing Colour	Black	Cutout	-	Colour Rendering Index	-
Body Shape	-	Packaging Unit	1	Colour Consistency	-
Nominal Lifetime (EOL end of life)	-	Gross Weight	-	UGR	-
Dimmable	No	Volume	-		

ELECTRICAL AND OPERATING DATA		ENERGY LABEL & STANDARS		CERTIFICATIONS	
Nominal Wattage	Max. 7W	Energy Label	A+	2014/30/EU (EMC Directive)	YES
Nominal Voltage	110-220V	Energy Consumption KWH/1000H	-	2014/35/EU (LVD Directive)	YES
Operating Frequency	50/60Hz	Type of Protection	IP20	ROHS	YES
Power Factor	-	Protection Class	-	ENEC	-
Operating Temperature	- 30°C to + 40°C	Protecion Class IK (shock resistance)	IK06	Warranty	3 YEARS
Starting Time 100% ON	-				
ON/OFF Cycles	-				

### SIZE



Designed by Aronlight in Portugal. Made in PRC

