

## TECHNICAL INFORMATIONS

# APLIQUE DE PAREDE STUDE

## 8W 3000K PRETO IP65

Luminária de elevada eficiência com design requintado.

High efficiency luminaire with refined design.

Luminaria de alta eficiencia con diseño refinado.

### ILAR-01028



#### REFERENCE

Reference	ILAR-01028
Led Type	CREE COB LED
Mounting Type	Surface
Body Material	Aluminum
Housing Colour	Black
Body Shape	Round
Nominal Lifetime (EOL end of life)	50.000H
Dimmable	NO

#### DIMENSION & WEIGHT

Lenght	139mm
Width	115mm
Height	52mm
Cutout	-
Packaging Unit	24pcs
Net Weight	0.415 kgs
Gross Weight	13.5 kgs

#### PHOTOMETRICAL DATA

Total Luminous Flux	680 lm
Luminous Efficacy	85lm/w
Beam Angle	180°
Colour Temperature	3000K
Colour Rendering Index	≥80
Power Factor	≥0.9

#### ELECTRICAL AND OPERATING DATA

Nominal Wattage	8W
Nominal Voltage	AC100-240V
Operating Frequency	50/60Hz
Operating Temperature	-20°C to +45°C
Starting Time 100% ON	0.0001s
ON/OFF Cycles	100.000

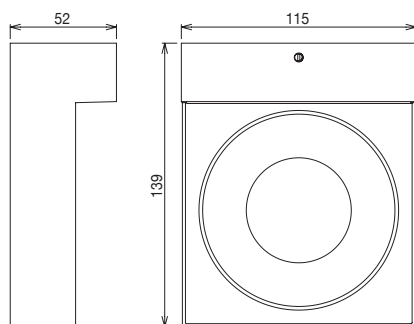
#### ENERGY LABEL & STANDARS

Energy Label	A+
Energy Consumption KWH/1000H	-
Type of Protection	IP65
Protection Class	I
Protection Class IK (shock resistance)	-

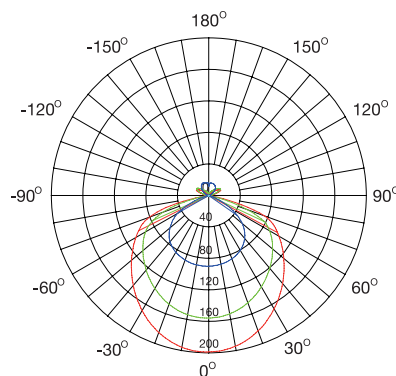
#### CERTIFICATIONS

2014/30/EU (EMC Directive)	YES
2014/35/EU (LVD Directive)	YES
CE	YES
ROHS	YES
ENEC	-
Warranty	3 YEARS

#### SIZE



#### BEAM ANGLE



Designed by Aron Light in Portugal. Made in PRC

