



## TECHNICAL INFORMATIONS

# SLASH

## 30W 3000K

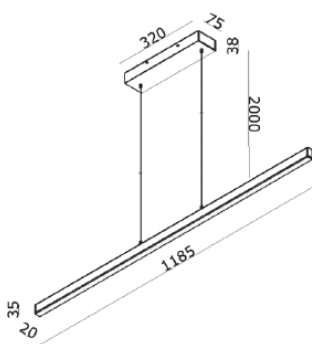


### ILAR-02236

REFERENCE		DIMENSION & WEIGHT		PHOTOMETRICAL DATA	
Reference	ILAR-02236	Dimensions	1185x20x320x35mm	Total Luminous Flux	940lm
Mounting Type	Surface / Suspended	Packaging Unit	Carton box 15 pc	Luminous Efficacy	31lm/w
Body Material	Aluminium			Beam Angle	90°
Housing Colour	Copper			Colour Temperature	3000K
Dimmable	Yes			Colour Rendering Index	>90

ELECTRICAL AND OPERATING DATA		ENERGY LABEL & STANDARS		CERTIFICATIONS	
Nominal Wattage	30W	Type of Protection	IP20	CE	YES
Nominal Voltage	200-240V	Protection Class	Class II	ROHS	YES
Operating Frequency	50/60Hz			Warranty	3 YEARS

### SIZE



Designed by Aronlight in Portugal. Made in PRC

