

## TECHNICAL INFORMATIONS

# INTEL TRI-PROOF 170LM/W

## 50W 5000K 150CM

Luminária com elevada proteção IP66 e IK10. Possui uma eficiência de 170Lm/W e tempo de vida de 50.000H (5 anos garantia). Possibilidade de instalação saliente ou suspensa.

Luminaire with high protection IP66 and IK10. It has an efficiency of 170Lm / W and a lifetime of 50,000H (5 year warranty). Possibility of installation outgoing or suspended.

Luminaria con alta protección IP66 e IK10. Tiene una eficiencia de 170Lm / W y un tiempo de vida de 50.000H (5 años de garantía). Posibilidad de instalación saliente o suspendida.



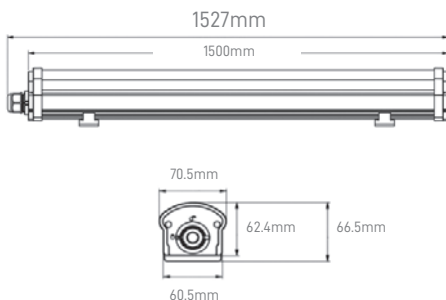
### ILAR-01590

REFERENCE		DIMENSION & WEIGHT		PHOTOMETRICAL DATA	
Body Material	PC+Aluminum inside	Dimensions	1500x66.5x70.5mm	Total Luminous Flux	8500lm
Diffuser Material	PC	Net Weight	1.1kg	Luminous Efficacy	170lm/W
Housing Colour	White	Packaging Unit	Carton Box 12 pcs	Beam Angle	120°
Lifetime (EOL end of life)	50.000hrs (L80 B10)	Gross Weight	17kg	Colour Temperature	5000K
Dimmable	DALI / 1-10V (Optional)	Volume	0.09cbm	Colour Rendering Index	≥83
Emergency	Optional (3H)			UGR	<21

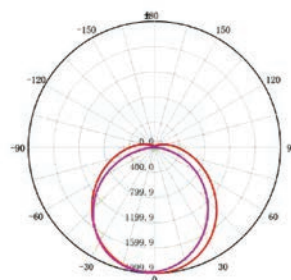
  

ELECTRICAL AND OPERATING DATA		ENERGY LABEL & STANDARS		CERTIFICATIONS	
Nominal Wattage	50W	Type of Protection	IP66	2014/30/EU (EMC Directive)	YES
Nominal Voltage	220-240V	Protection Class	Class I	2014/35/EU (LVD Directive)	YES
Operating Frequency	50/60Hz	Protecion Class IK (shock resistance)	IK10	ROHS	YES
Operating Temperature	- 20° C to + 40° C			CE	YES
				ENEC	YES
				Warranty	5 YEARS

### SIZE



### BEAM ANGLE



### ACCESSORIES

-  **ILAR-02445**  
Microwave Sensor for TRI-PROOF
-  **ILAR-02446**  
PIR Sensor for TRI-PROOF
-  **ILAR-02447**  
Emergency Kit for TRI-PROOF

Designed by Aron Light in Portugal. Made in PRC

