

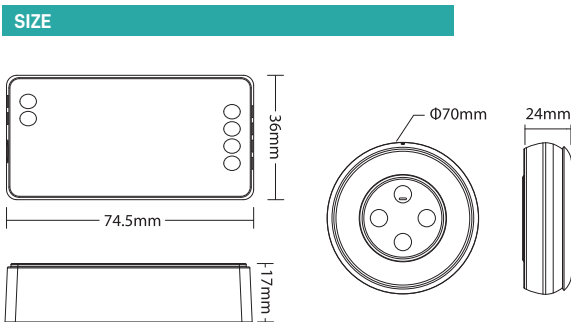
## TECHNICAL INFORMATIONS

# RGBW CONTROLLER + REMOTE

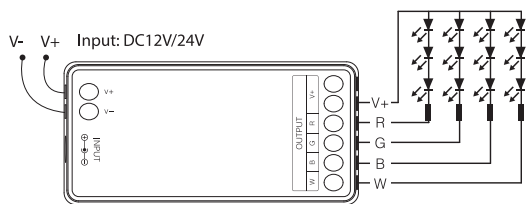


### ILAR-01425

OUTPUT	
SKU	ILAR-01425
Input Voltage	DC12~24V
Output	6A/Channel
Total Output	Max 12A
RF	2.4GHz
Control Distance	30m
IP Rate	-
Working Temperature	-10~40°C
Output connection	Common anode



### CONNECTION DIAGRAM



### COMPATIBLE WITH THESE REMOTE CONTROLS (PURCHASED SEPARATELY)



### INSTALLATION



Designed by Aronlight in Portugal. Made in PRC

