

TECHNICAL INFORMATIONS

DALI CONTROLLER 5 IN 1 W/CCT/RGB/RGB CCT DALI DT8 DL-X

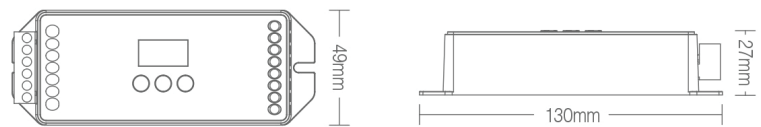


ILAR-01442

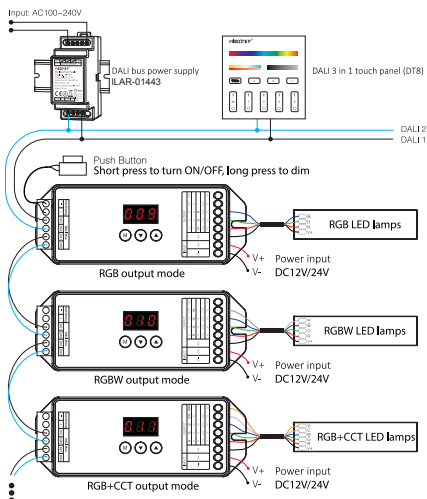
OUTPUT

SKU	ILAR-01442
Input Voltage	DC12~24V
Total Output	20A
Input Signal	DALI Signal or Push Dimming
DALI Bus Standard	IEC62386-102, 207, 209 Support DT8 type TC, xy coordinates, RGBWAF
IP Rate	-
Working Temperature	-10~40°C
Output connection	Common anode

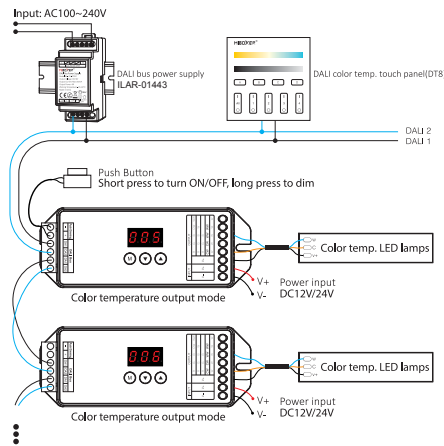
SIZE



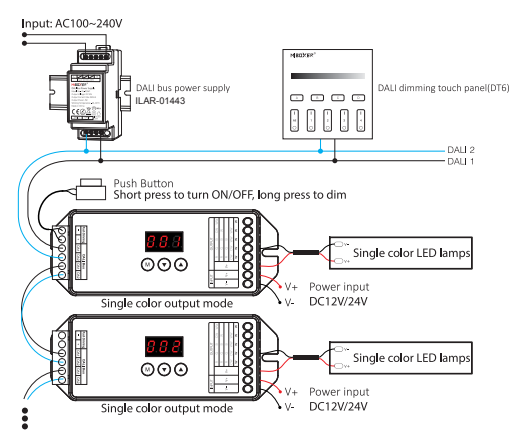
CONNECTION DIAGRAM (RGB / RGBW / RGB+CCT OUTPUT MODE)



CONNECTION DIAGRAM (COLOR TEMPERATURE OUTPUT MODE)



CONNECTION DIAGRAM (SINGLE COLOR OUTPUT MODE)



Designed by Aronlight in Portugal. Made in PRC

