

## TECHNICAL INFORMATIONS

# MODULE TRIAC + PUSH DIMM + WIRELESS

## MÓDULO TRIAC + PUSH DIMM + WIRELESS 300W TRI-C1

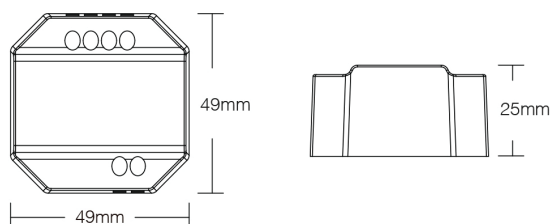


ILAR-01447

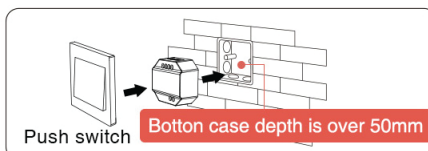
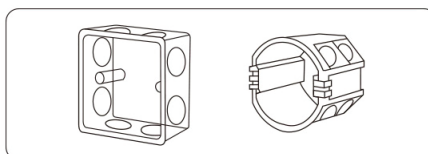
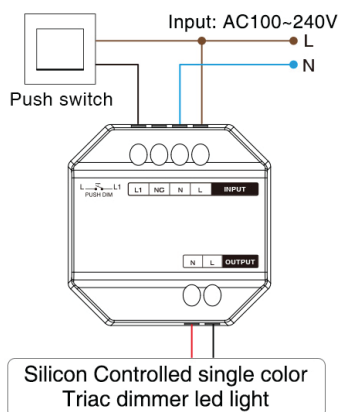
### OUTPUT

SKU	ILAR-01447
Input Voltage	100-240V~ 50/60Hz
Output Voltage	100-240V~
Output Current	Max 1.36A
Output Power	300W @220V
Dim Method	RF wireless dimming Push dimming
2.4G RF Control Distance	30m
IP Rate	-
Working Temperature	-10~40°C

### SIZE



### CONNECTION DIAGRAM



Designed by Aronlight in Portugal. Made in PRC

