

TECHNICAL INFORMATION

ST02A

DETECTOR DE MOVIMENTO

Detector de movimento com tecnologia Infravermelhos (PIR) para instalação em parede interior (IP20). Tem ângulo de detecção de 160°, alcance de 9mts e carga máxima suportada de 500W (Incand.) ou 200W (LED).

Infrared (PIR) motion detector for indoor wall mounting (IP20). It has 160° detection angle, 9m range and maximum load of 500W (Incand.) or 200W (LED).

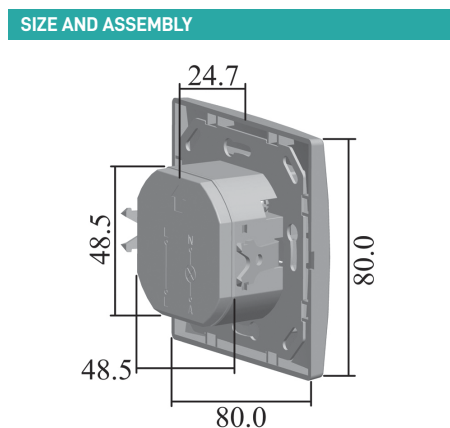
Detector de movimiento Infrarrojo (PIR) para montaje en pared interior (IP20). Tiene un ángulo de detección de 160°, un alcance de 9m y una carga máxima admitida de 500 W (Incand.) o 200W (LED).



ILAR-00118

REFERENCE					
Reference	ILAR-00118	Detection Distance	4-9 mts (<24°) Wall	Dimming	No
Voltage	220-240V/AC	Delay Time	10s-7min	Stand-by Dimming	No
Frequency	50/60Hz	Ambient Lighting	Yes	Stand-by Dimming Level	No
IP Rating	IP20	Installation Height	Wall 1-1.8 mts	Detection Range	Yes
Detection Angle	160°			Installation	Wall
Rated Load	Max. 500W Incandescent Max. 200W LED			Type	Infrared

DIMENSION & WEIGHT	
Length	80mm
Width	24.7mm
Height	80mm
Weight	10.8
Cut-out	50mm
Qty per Box	100



Designed by Aron Light in Portugal. Made in PRC

