

TECHNICAL INFORMATION

ST05A

DETECTOR DE MOVIMENTO

Detector de movimento com tecnologia Infravermelhos (PIR) para instalação em tecto interior ou exterior (IP44). Tem ângulo de detecção de 360°, alcance de 6mts e carga máxima suportada de 1200W (Incand.) ou 300W (LED).

Infrared (PIR) motion detector for indoor or outdoor ceiling (IP44) installation. It has a detection angle of 360°, a range of 6mts and a maximum load of 1200W (Incand.) or 300W (LED).

Detector de movimiento Infrarrojo (PIR) para instalación en techo interior o exterior (IP44). Tiene un ángulo de detección de 360°, un rango de 6mts y una carga máxima soportada de 1200W (Incand.) o 300W (LED).



ILAR-00119

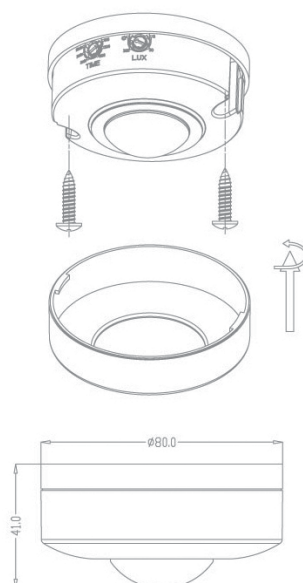
REFERENCE

Reference	ILAR-00119	Detection Distance	Max. 6 mts (<24°C) Ceiling	Dimming	No
Voltage	220-240V/AC	Delay Time	10s-15min	Stand-by Dimming	No
Frequency	50/60Hz	Ambient Lighting	Yes	Stand-by Dimming Level	No
IP Rating	IP44	Installation Height	Ceiling 2.2-4 mts	Detection Range	Yes
Detection Angle	360°			Installation	Ceiling
Rated Load	Max. 1200W Incandescent Max. 300W LED			Type	Infrared

DIMENSION & WEIGHT

Length	80mm
Width	80mm
Height	41mm
Weight	6.2
Qty per Box	50

SIZE AND ASSEMBLY



Designed by Aron Light in Portugal. Made in PRC

