

## TECHNICAL INFORMATION

# ST11

## DETECTOR DE MOVIMENTO

Detector de movimento com tecnologia Infravermelhos (PIR) para instalação em parede interior ou exterior (IP44). Tem ângulo de detecção de 180°, alcance de 12mts e carga máxima suportada de 800W (Incand.) ou 400W (LED).

Infrared (PIR) motion detector for indoor or outdoor wall mounting (IP44). It has 180° detection angle, 12m range and maximum load of 800W (Incand.) or 400W (LED).

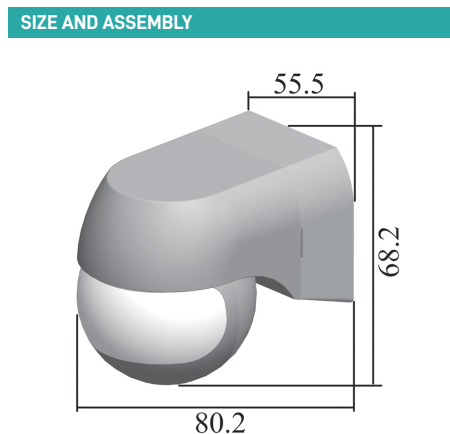
Detector de movimiento Infrarrojo (PIR) para montaje en pared interior o exterior (IP44). Tiene un ángulo de detección de 180°, un alcance de 12m y una carga máxima admitida de 800 W (Incand.) o 400 W (LED).



### ILAR-00257

REFERENCE					
Reference	ILAR-00257	Detection Distance	Max. 12 mts (<24°C) Wall	Dimming	No
Voltage	220-240V/AC	Delay Time	10s-15min	Stand-by Dimming	No
Frequency	50/60Hz	Ambient Lighting	Yes	Stand-by Dimming Level	No
IP Rating	IP44	Installation Height	Wall 1.8-2.5 mts	Detection Range	Yes
Detection Angle	180°			Installation	Wall
Rated Load	Max. 800W Incandescent Max. 400W LED			Type	Infrared

DIMENSION & WEIGHT	
Length	80.2mm
Width	55.5mm
Height	68.2mm
Weight	7
Qty per Box	50



Designed by Aron Light in Portugal. Made in PRC

