

## TECHNICAL INFORMATIONS

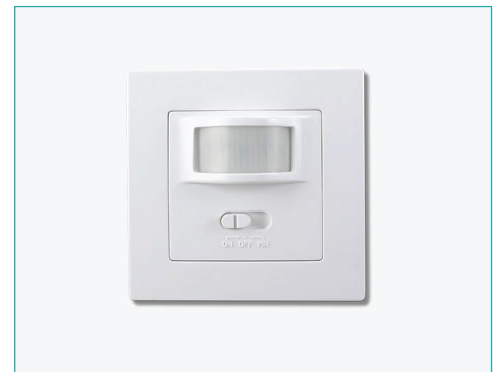
# ST31

## DETECTOR DE MOVIMENTO

Detector de movimento com tecnologia Infravermelhos (PIR) para instalação em parede interior (IP20). Tem ângulo de deteção de 190°, alcance de 4 a 9mts e carga máxima suportada de 500W (Incand.) ou 200W (LED).

Infrared (PIR) motion detector for indoor wall mounting (IP20). It has a detection angle of 190°, a range of 4 to 9mts and a maximum load of 500W (Incand.) Or 200W (LED).

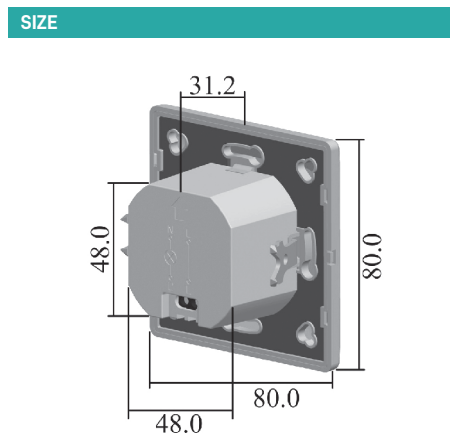
Detector de movimiento infrarrojo (PIR) para montaje en pared interior (IP20). Tiene un ángulo de detección de 190°, un rango de 4 a 9mts y una carga máxima soportada de 500W (Incand.) o 200W (LED).



### ILAR-00495

REFERENCE					
Reference	LAR-00495	Detection Distance	4-9 mts (<24°C) Wall	Dimming	No
Voltage	220-240V/AC	Delay Time	10s-7min	Stand-by Dimming	No
Frequency	50/60Hz	Ambient Lighting	Yes	Stand-by Dimming Level	No
IP Rating	IP20	Installation Height	Wall 1-1.8 mts	Detection Range	Yes
Detection Angle	190°			Installation	Wall
Rated Load	Max. 500W Incandescent Max. 200W LED			Type	Infrared

DIMENSION & WEIGHT	
Length	80mm
Width	31.2mm
Height	80mm
Weight	13
Cut-out	Ø66mm
Qty per Box	100



Designed by Aron Light in Portugal. Made in PRC

