

## TECHNICAL INFORMATIONS

# ST759A - 1-10V

## DETECTOR DE MOVIMENTO

Detector de movimento com tecnologia Micro-ondas para instalação em garagens ou indústrias (IP65). Tem ângulo de deteção de 360° e alcance de 4-10mts. Carga máxima suportada de 2000W (Incand.) ou 1000W (LED), e Dimming.

Microwave motion detector for garage or industrial installation (IP65). It has a detection angle of 360° and a range of 4-10mts. Maximum load of 2000W (Incand.) or 1000W (LED), and Dimming.

Detector de movimiento por Microondas para garaje o instalación industrial (IP65). Tiene ángulo de detección de 360° y rango de 4-10mts. Carga máxima soportada de 2000W (Incand.) o 1000W (LED), y Atenuación.



### ILAR-00521

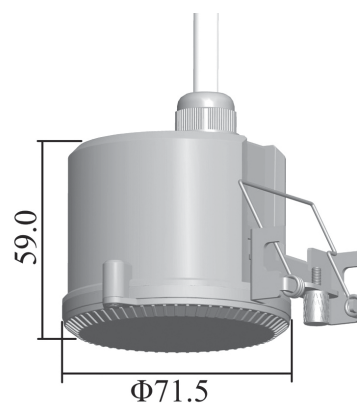
#### REFERENCE

Reference	ILAR-00521	Detection Distance	4-10 mts (Radius) Ceiling	Dimming	Yes
Voltage	110-277V/AC	Delay Time	5s-30min	Stand-by Dimming	Yes
Frequency	50/60Hz	Ambient Lighting	Yes	Stand-by Dimming Level	Yes
IP Rating	IP65	Installation Height	Ceiling 4-15 mts	Detection Range	Yes
Detection Angle	360°			Installation	Industry / Garage
Rated Load	Max. 2000W Incandescent Max. 1000W LED			Type	Microwave

#### DIMENSION & WEIGHT

Length	71.5mm
Width	71.5mm
Height	59mm
Weight	5.6
Qty per Box	20

#### SIZE AND ASSEMBLY



Designed by Aron Light in Portugal. Made in PRC

