

TECHNICAL INFORMATIONS

ST15E

DETECTOR DE MOVIMENTO

Detector de movimento com tecnologia Infravermelhos (PIR) para instalação em parede interior ou exterior (IP65). Tem ângulo de detecção de 180°, alcance de 12mts e carga máxima suportada de 1200W (Incand.) ou 300W (LED).

Infrared (PIR) motion detector for indoor or outdoor wall mounting (IP65). It has 180° detection angle, 12m range and maximum load of 1200W (Incand.) or 300W (LED).

Detector de movimiento Infrarrojo (PIR) para montaje en pared interior o exterior (IP65). Tiene un ángulo de detección de 180°, un alcance de 12 my una carga máxima admitida de 1200W (Incand.) o 300W (LED).



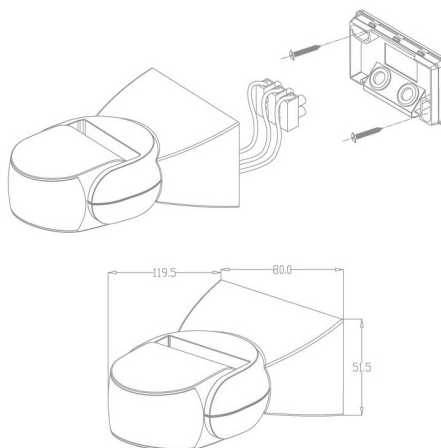
ILAR-00570

REFERENCE					
Reference	ILAR-00570	Detection Distance	Max. 12 mts (<24°C) Wall	Dimming	No
Voltage	220-240V/AC	Delay Time	10s-15min	Stand-by Dimming	No
Frequency	50/60Hz	Ambient Lighting	Yes	Stand-by Dimming Level	No
IP Rating	IP65	Installation Height	Wall 1.8-2.5 mts	Detection Range	Yes
Detection Angle	180° / 360°	Detection Range	Yes	Installation Type	Wall Infrared
Rated Load	Max. 1200W Incandescent Max. 300W LED				

DIMENSION & WEIGHT

Length	119.5mm
Width	80mm
Height	51.5mm
Weight	10.3
Qty per Box	50

SIZE AND ASSEMBLY



Designed by Aron Light in Portugal. Made in PRC

