

## TECHNICAL INFORMATIONS

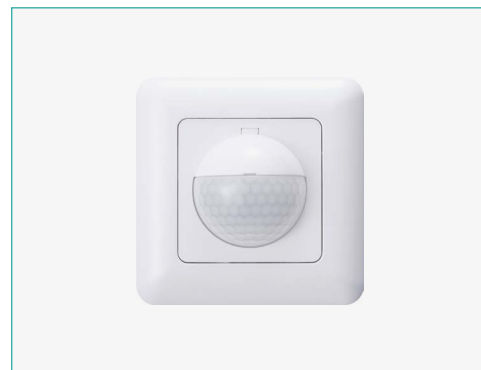
# ST31C

## DETECTOR DE MOVIMENTO

Detector de movimento com tecnologia Infravermelhos (PIR) para instalação em parede interior (IP20). Tem ângulo de deteção de 190°, alcance de 10mts e carga máxima suportada de 500W (Incand.) ou 200W (LED).

Infrared (PIR) motion detector for indoor wall mounting (IP20). It has 190° detection angle, 10m range and maximum load of 500W (Incand.) or 200W (LED).

Detector de movimiento Infrarrojo (PIR) para montaje en pared interior (IP20). Tiene un ángulo de detección de 190°, un alcance de 10m y una carga máxima admitida de 500W (Incand.) o 200W (LED).



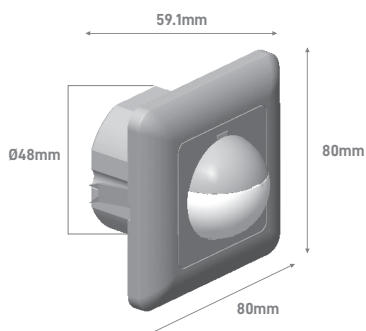
### ILAR-01059

REFERENCE					
Reference	ILAR-01059	Detection Distance	Max. 10 mts (<24°C Wall)	Dimming	No
Voltage	220-240V/AC	Delay Time	10s-7min	Stand-by Dimming	No
Frequency	50/60Hz	Ambient Lighting	Yes	Stand-by Dimming Level	No
IP Rating	IP20	Installation Height	Wall 1-1.8 mts	Detection Range	Yes
Detection Angle	190°			Installation	Wall
Rated Load	Max. 500W Incandescent			Type	Infrared

### DIMENSION & WEIGHT

Length	59.1mm
Width	80mm
Height	80mm
Weight	14
Cut-out	Ø48mm
Items per Box	100

### SIZE AND ASSEMBLY



Designed by Aronlight in Portugal. Made in PRC

