

TECHNICAL INFORMATIONS

FONTE DE ALIMENTAÇÃO

36W 12V IP20

Fonte de Alimentação 12V - Fita LED IP20

Power Supply 12V - LED Strip IP20

Fuentes 12V - Tiras LED IP20



ILAR-00900

OUTPUT

Reference	ILAR-00900
DC voltage	12V
Rated Current	3A
Current Range	0-3A
Rated Power	36W
Ripple and Noise (Max) Note.2	150mVp-p
Voltage adjustment	10.8-13.2V
Voltage Accuracy Note3	±1%
Linear Adjustment Note4	±0.5%
Load Adjustment Note5	±0.5%
Start and rise time	1000ms, 30ms/230VAC
Hold time (Typ)	50ms/230VAC

DIMENSION & WEIGHT

Lenght	120mm
Width	40mm
Height	32mm
Weight	0.14kg
Cutout	-
Packaging Unit	1
Gross Weight	20.55kg / 150PCS
Volume	-

INPUT

Voltage range	90-264VAC/120-370VDC
Frequency range	47-63HZ
Efficiency (Typ)	80%
AC current (Typ)	0.57A/90V 0.37A/220V
Surge current (Typ)	Cold Start: 65A/230VAC
Current leak	<2mA/240VAC

PROTECTION

Overload	Larger than 105% of capacity restoration after abnormality removed
Overvoltage	-
Overheat	-
Warranty	2 Years

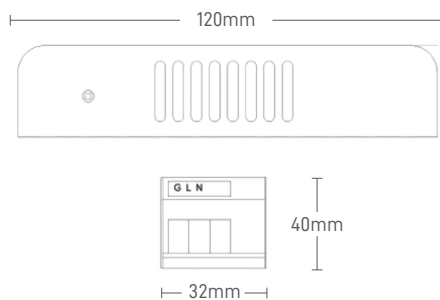
ENVIRONMENT

Working temp.	-20~+60°C (Refer to the tenuation curve)
Working humidity	20-90% RH, without condense
Storage temp & hmdty	-40~+80°C
Temp. coefficient	±0.03%/0°C (0-50°C)
Vibration proof	10-500HZ, 5G 10min / Cycle, X, Y, Z axes 60 min each

SAFETY REG. & EMC (NOTE. 6)

Safety regulation	GB195110.1-2004 IEC61347-1:2003 CE(EMC+LVD)
Voltage proof	I/P-O/P:1.5KVAC
Insulation resistance	I/P-O/P:100M OHMS/500VDC/ 25°C/70% RH
EMC irradiation	EN 55015:2006; EN61000-3-2:1995+A2:2005
EMC disturbance proof	EN 61000-3-2:2006;

SIZE



Designed by Aronlight in Portugal. Made in PRC

