

## TECHNICAL INFORMATION

# POLARIS LUMINÁRIA DE RUA

## 240W 5000K

Luminária de rua com elevada durabilidade (5 anos garantia) e performance (130 Lm / W).

Street Luminaire with high durability (5 years warranty) and performance (130 Lm / W).

Luminaria viaria con elevada durabilidad (5 años de garantía) y rendimiento (130 Lm / W).

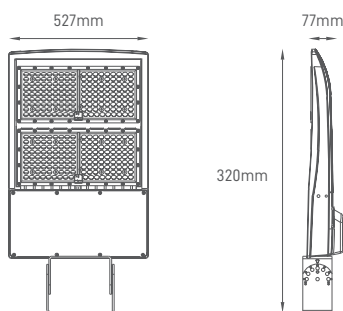


### ILAR-00800

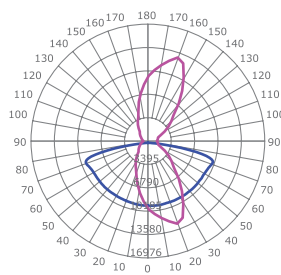
REFERENCE		DIMENSION & WEIGHT		PHOTOMETRICAL DATA	
Reference	ILAR-00800	Lenght	527mm	Total Luminous Flux	31200lm
LED Brand	Philips LED	Width	320mm	Luminous Efficacy	130 lm/W
Body Material	Die Cast Aluminium	Height	77mm	Beam Angle	110°
Housing Colour	Black	Weight	6.8kg	Colour Temperature	5000K
Nominal Lifetime (EOL end of life)	50000H	Weight	7.8kg	Colour Rendering Index	>80
Mounting Type	NO	Packaging Unit	1 pcs	Colour Consistency	-
Dimmable	YES	Gross Weight (kg)	7.8kg	UGR	-
Sensor	NO	Volume (cbm)	0.032cbm		

ELECTRICAL AND OPERATING DATA		ENERGY LABEL & STANDARS		CERTIFICATIONS	
Nominal Wattage	240W	Energy Label	A+	ERP	NO
Nominal Voltage	100-240V	Energy Consumption KWH/1000H	-	UL	YES
Operating Frequency	50-60Hz	Type of Protection	IP65	GE	NO
Power Factor	>0.9	Protection Class	Class II	CE	YES
Operating Temperature	-40°C to 45°C	Protecion Class IK (shock resistance)	IK08	2014/30/EU (EMC Directive)	YES
Driver Brand	Sosen			2014/35/EU (LVD Directive)	YES
ON/OFF Cycles	-			ROHS	YES
				ENEC	NO
				Warranty	5 YEARS

### SIZE



### BEAM ANGLE



Designed by Aron Light in Portugal. Made in PRC

