

## TECHNICAL INFORMATIONS

# VERSATILE STREET LIGHT

## 120W

Luminária de rua com elevada durabilidade e performance (160 Lm / W).

Street Luminaire with high durability and performance (160 Lm / W).

Luminaria viaria con elevada durabilidad y rendimiento (160 Lm / W).

### ILAR-00982



#### REFERENCE

|                  |                          |
|------------------|--------------------------|
| LED Type         | Philips LED              |
| Drive            | MOSO DRIVER              |
| Body Material    | Die Cast Aluminium       |
| Housing Colour   | Grey RAL 9006            |
| Nominal Lifetime | >50,000Hrs (Ta=30°C@L70) |
| Mounting Type    | NO                       |
| Dimmable         | Non-dim                  |
| Sensor           | Optional                 |
| Regulation       | DALI                     |

#### DIMENSION & WEIGHT

|                      |           |
|----------------------|-----------|
| Lenght               | 658mm     |
| Width                | 522mm     |
| Height               | 220mm     |
| Packaging Unit       | 1 pc      |
| Gross Weight (kg)    | 6±0.3kg   |
| Luminaire Net Weight | 5.2±0.3kg |

#### PHOTOMETRICAL DATA

|                        |                      |
|------------------------|----------------------|
| Total Luminous Flux    | 19200lm              |
| Luminous Efficacy      | 160 lm/W             |
| Beam Angle             | -                    |
| Colour Temperature     | 5000K                |
| Colour Rendering Index | Ra70 (Ra80 Optional) |
| Colour Consistency     | -                    |
| Intelligent Control    | ZigBee (optional)    |

#### ELECTRICAL AND OPERATING DATA

|                                  |                                |
|----------------------------------|--------------------------------|
| Nominal Wattage                  | 120W                           |
| Nominal Voltage                  | AC100-240V                     |
| Operating Frequency              | 50-60Hz                        |
| Power Factor                     | >0.9                           |
| Operating Temperature            | -30°C to + 50°C                |
| Temperature of Working Condition | -25°C~50°C                     |
| ON/OFF Cycles                    | -                              |
| Surge Protection                 | 6kV line-line, 10kV line-earth |

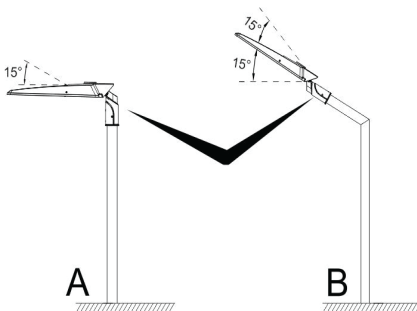
#### ENERGY LABEL & STANDARS

|  |          |
|--|----------|
| Energy Label                           | A+       |
| Energy Consumption KWH/1000H           | -        |
| Type of Protection                     | IP66     |
| Protection Class                       | Class II |
| Protection Class IK (shock resistance) | IK09     |

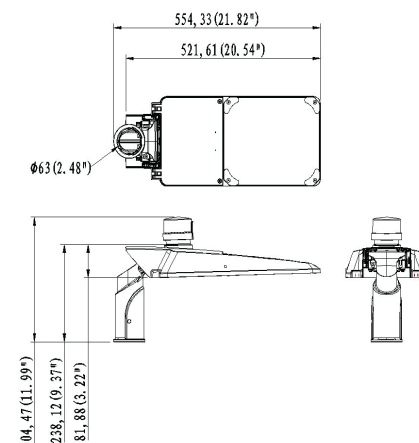
#### CERTIFICATIONS

|                            |         |
|----------------------------|---------|
| ERP                        | NO      |
| UL                         | YES     |
| GE                         | NO      |
| CE                         | YES     |
| 2014/30/EU (EMC Directive) | YES     |
| 2014/35/EU (LVD Directive) | YES     |
| ROHS                       | YES     |
| ENEC                       | NO      |
| Warranty                   | 5 YEARS |

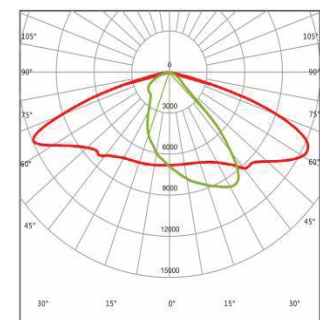
#### ADJUSTABLE ANGLE



#### SIZE



#### BEAM ANGLE



Designed by Aronlight in Portugal. Made in PRC

