

## TECHNICAL INFORMATIONS

# VALL

## 15W 3000K CINZENTO

Design moderno, chips LED de elevada reprodução, alumínio de fundição injetada, elevados níveis de proteção (IP e IK), forte resistência à corrosão.

Modern design, high-performance LED chips, injected cast aluminum, high protection levels (IP and IK), strong corrosion resistance.

Diseño moderno, chips LED de alto rendimiento, aluminio fundido inyectado, altos niveles de protección (IP e IK), fuerte resistencia a la corrosión.



### ILAR-00862

#### REFERENCE

Reference	ILAR-00862
Base	High Purity Aluminium
Housing Colour	Grey
Nominal Lifetime (EOL end of life)	25000H
Driver	Built-in high voltage constant current driver with transformer

#### DIMENSION & WEIGHT

Length	100mm
Width	Ø61mm
Height	175mm
Inner Box Size	130x115x80mm
Carton Size	36.5x28x26cm (18 Pcs / Carton)

#### PHOTOMETRICAL DATA

Total Luminous Flux	1200lm
Luminous Efficacy	80lm/W
Colour Temperature	3000K
Beam Angle	25°
CRI	>80

#### ELECTRICAL AND OPERATING DATA

Nominal Wattage	15W
Nominal Voltage	AC100-265V
Operating Frequency	50/60Hz
Operating Temperature	- 25° C to + 45° C
Starting Time 100% ON	<0.5s
ON/OFF Cycles	>20000

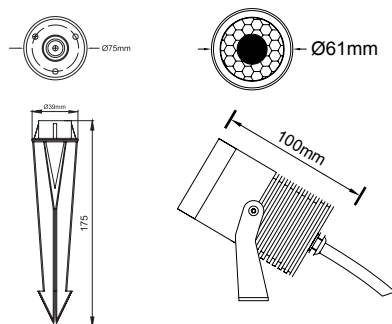
#### ENERGY LABEL & STANDARS

Energy Label	A
Energy Consumption KWH/1000H	15kwh
Type of Protection	IP67
Protection Class	Class I
Protection Class IK (shock resistance)	IK04

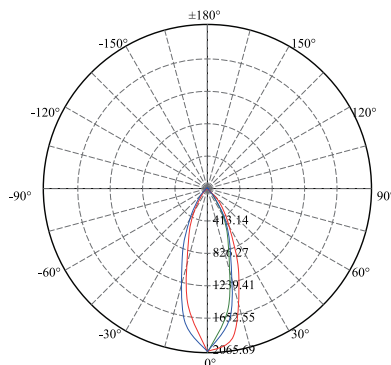
#### CERTIFICATIONS

CE	YES
RoHS	YES
Warranty	3 YEARS

#### SIZE



#### BEAM ANGLE



Designed by Aronlight in Portugal. Made in PRC

