

TECHNICAL INFORMATIONS

NOA

12W CCT CINZENTO

Aplique de Jardim com luz direta e elevada luminosidade.

Garden Light with direct light and high brightness.

Luz de Jardín con luz directa y alto brillo.



ILAR-02083

REFERENCE

Reference	ILAR-02083
LED Type	SMD 2835
Body Material	Polycarbonate
Protection	Polycarbonate-Opal
Housing Colour	Grey RAL 7040
Nominal Lifetime (EOL end of life)	50000H - L70B50
Surface/Recessed	Surface
Dimmable	NO

DIMENSION & WEIGHT

Lenght	230mm
Width	110mm
Height	75mm
Packaging Unit	20pcs / carton
Gross Weight	6 kg
Volume	59 dm ³

PHOTOMETRICAL DATA

Total Luminous Flux	1200lm
Luminous Efficacy	100 lm/W
Beam Angle	120°
Colour Temperature	CCT 3000K / 4000K / 6500K
Colour Rendering Index	>80

ELECTRICAL AND OPERATING DATA

Nominal Wattage	12W
Nominal Voltage	220-240V
Operating Frequency	50/60Hz
Operating Temperature	- 25° C to + 45° C
Starting Time 100% ON	<0.5s
ON/OFF Cycles	>20000

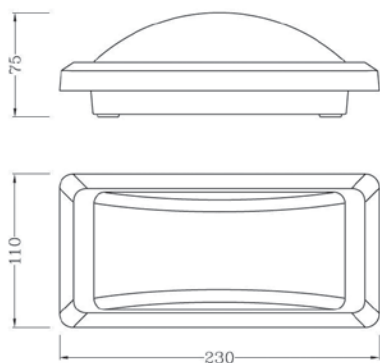
ENERGY LABEL & STANDARDS

Energy Consumption KWH/1000H	12 kWh
Type of Protection	IP65
Protection Class	Class II
Protection Class IK (shock resistance)	IK06

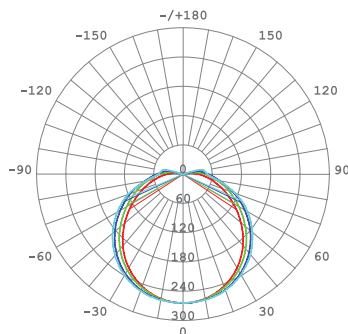
CERTIFICATIONS

2014/30/EU (EMC Directive)	YES
2014/35/EU (LVD Directive)	YES
CE	YES
ROHS	YES
Warranty	3 YEARS

SIZE



BEAM ANGLE



Designed by Aronlight in Portugal. Made in PRC

