

## TECHNICAL INFORMATIONS

# PROJETOR LED IP65

## 30W 6000K WHITE

Série profissional de projetores IP65 com 94% de eficiência luminosa, corpo em alumínio fundido de alta intensidade, vidro temperado de alta qualidade que resiste ao impacto e ao atrito.

Professional floodlight series with 94% luminous efficiency, body of high intensity die-cast aluminum, high quality tempered glass that resist the impact and friction.

Serie profesional de proyectores IP65 con un 94% de eficiencia luminosa, cuerpo de aluminio fundido de alta intensidad, vidrio templado de alta calidad que resiste el impacto y la fricción.



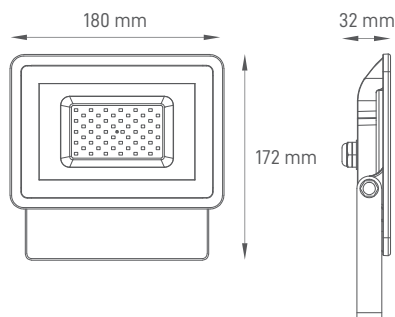
### ILAR-00177

| REFERENCE        |                    | DIMENSION & WEIGHT |                 | PHOTOMETRICAL DATA     |        |
|------------------|--------------------|--------------------|-----------------|------------------------|--------|
| Reference        | ILAR-00177         | Size Piece         | 180x172x32mm    | Total Luminous Flux    | 2500lm |
| Led Type         | Epistar LED        | Weight Piece       | -               | Luminous Efficacy      | 90Lm/W |
| Body Material    | Die Cast Aluminium | Item Volume        | -               | Beam Angle             | 120°   |
| Body Colour      | White              | Itens per Pack     | 1               | Colour Temperature     | 6000K  |
| Nominal Lifetime | 30000h             | Itens per Box      | 20 pcs / carton | Colour Rendering Index | >80    |
| Dimmable         | No                 |                    |                 | Colour Stability       | <6     |
| Cable Size       | 50cm               |                    |                 |                        |        |

| ELECTRICAL AND OPERATING DATA |                    | ENERGY LABEL & STANDARS               |         | CERTIFICATIONS |         |
|-------------------------------|--------------------|---------------------------------------|---------|----------------|---------|
| Nominal Wattage               | 30W                | Energy Label                          | A+      | CE Directive   | YES     |
| Nominal Voltage               | AC220-240V         | Energy Consumption KWH/1000H          | 6KWH    | ROHS           | YES     |
| ON/OFF Cycles                 | >15000             | Type of Protection                    | IP65    | Warranty       | 2 YEARS |
| Operating Frequency           | 50/60Hz            | Protection Class                      | Class I |                |         |
| Power Factor                  | >0.9               | Protecion Class IK (shock resistance) | IK06    |                |         |
| Operating Temperature         | - 30° C to + 40° C |                                       |         |                |         |
| Power Supply                  | DOB                |                                       |         |                |         |

### SIZE

### BEAM ANGLE



Designed by Aron Light in Portugal Made in PRC

