

TECHNICAL INFORMATIONS

MASTER PRO IP66

50W 5000K

Série profissional de projetores IP66 com 94% de eficiência luminosa, corpo em alumínio fundido de alta intensidade, vidro temperado de alta qualidade que resiste ao impacto e ao atrito.

Professional floodlight series IP66 with 94% luminous efficiency, body of high intensity die-cast aluminum, high quality tempered glass that resist the impact and friction.

Serie profesional de proyectores IP66 con un 94% de eficiencia luminosa, cuerpo de aluminio fundido de alta intensidad, vidrio templado de alta calidad que resiste el impacto y la fricción.

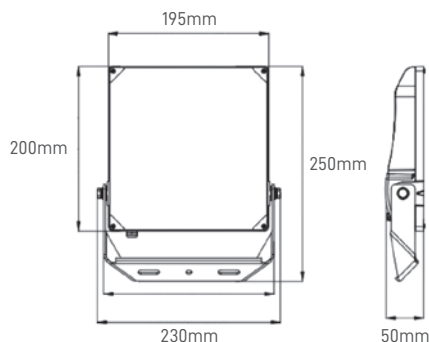


ILAR-01218

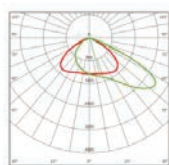
REFERENCE		DIMENSION & WEIGHT		PHOTOMETRICAL DATA	
Reference	ILAR-01218	Size Piece	195x200x50mm	Total Luminous Flux	7500lm
Led Type	Philips LED	Weight Piece	1.7kg±0.3kg	Luminous Efficacy	150Lm/W
Body Material	Die Cast Aluminium	Item Volume	-	Beam Angle	F19201, F19202, F19203, F19204
Body Colour	Black	Items per Pack	1	Colour Temperature	5000K
Nominal Lifetime	63000H	Items per Box	1	Colour Rendering Index	>70 (80, 90 optional)
Dimmable	Yes			Optica Assimétrica	Yes
Intelligent Control	Optional				
Driver Brand	Sosen Driver				

ELECTRICAL AND OPERATING DATA		ENERGY LABEL & STANDARS		CERTIFICATIONS	
Nominal Wattage	50W	Energy Consumption KWH/1000H	-	CE Directive	YES
Nominal Voltage	220-240V	Type of Protection	IP66	ROHS	YES
ON/OFF Cycles	>15000	Protection Class	Class II	Warranty	5 YEARS
Operating Frequency	50/60Hz	Protection Class IK (shock resistance)	IK08		
Power Factor	>0.92	Surge Protection	10Kv		
Operating Temperature	- 30° C to + 40° C	Salt Spray Test	>500H		
Power Supply	Built in				

SIZE



BEAM ANGLE



F19201

Designed by Aronlight in Portugal. Made in PRC

