

TECHNICAL INFORMATIONS

SPECTRA PROJECTOR LED

200W 3CCT BLACK

Série profissional de projetores IP65 com 94% de eficiência luminosa, corpo em alumínio fundido de alta intensidade, vidro temperado de alta qualidade que resiste ao impacto e ao atrito.

Professional floodlight series with 94% luminous efficiency, body of high intensity die-cast aluminum, high quality tempered glass that resist the impact and friction.

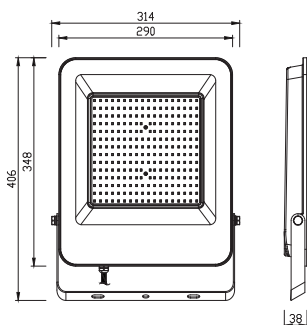
Serie profesional de proyectores IP65 con un 94% de eficiencia luminosa, cuerpo de aluminio fundido de alta intensidad, vidrio templado de alta calidad que resiste el impacto y la fricción.



ILAR-02892

REFERENCE		DIMENSION & WEIGHT		PHOTOMETRICAL DATA	
Reference	ILAR-02892	Size Piece	406x314x38mm	Total Luminous Flux	20000lm
Led Type	SMD2835			Luminous Efficacy	100Lm/W
Body Material	Die Cast Aluminium			Beam Angle	120°
Body Colour	Black RAL 9005			Colour Temperature	3CCT 3000K/4000K/6000K
Nominal Lifetime	30000h			Colour Rendering Index	>80
Dimmable	No				
Cable Size	50cm				
ELECTRICAL AND OPERATING DATA		ENERGY LABEL & STANDARS		CERTIFICATIONS	
Nominal Wattage	200W	Energy Consumption KWH/1000H	6KWH	CE Directive	YES
Nominal Voltage	AC220-240V	Type of Protection	IP65	ROHS	YES
ON/OFF Cycles	>15000	Protection Class	Class I	Warranty	3 YEARS
Operating Frequency	50/60Hz	Protecion Class IK (shock resistance)	IK06		
Power Factor	>0.9				
Operating Temperature	- 30° C to + 40° C				
Power Supply	DOB				
SPD	1KV-2KV				

SIZE



Designed by Aron Light in Portugal Made in PRC

