

## TECHNICAL INFORMATION

# MOSS 430 SOLAR

## 3.5W 4000K BLACK

Desempenho profissional, em alumínio fundido, anticorrosão, anti-oxidação e difusor com proteção contra grandes impactos e bateria LiFePO4 de Lítio que ultrapassa os 2000 ciclos.

Professional performance, in die-casting aluminum, anti-corrosion, anti-oxidation, diffuser with protection against big impacts and the LiFePO4 Lithium battery exceeds 2000 cycles.

Desempeño profesional, en aluminio fundido, anticorrosión, anti-oxidación, difusor con protección contra grandes impactos y la batería LiFePO4 de Litio supera los 2000 ciclos.

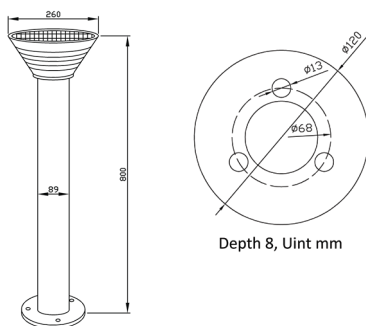


### ILAR-00430

REFERENCE		DIMENSION & WEIGHT		PHOTOMETRICAL DATA	
Reference	ILAR-00430	Size	Ø260x800xØ89xØ182mm	Total Luminous Flux	385-435lm
LED Chip	Epistar Chip	Packaging Unit	1	Beam Angle	120°
Body Material	6033 Aluminium PC	Gross Weight	4.6Kg	Colour Temperature	4000K
Housing Colour	Black	Net Weight	3.3Kg	Colour Rendering Index	-
Surface/Recessed	Surface	Packing Size	840x310x310mm	Humidity	5 ~ 95% R.H
Solar Panel	Monocrystalline	Anti-Corrosion	YES		
	Solar Panel, Grade A				
Lifespan of LED	>50.000H				

ELECTRICAL AND OPERATING DATA		ENERGY LABEL & STANDARS		CERTIFICATIONS	
Nominal Wattage	3.5W	Energy Label	A+	CE	YES
Charging Time	6H (AM1.5 ,1000W/m², 25°C)	Energy Consumption KWH/1000H	-	ROHS	YES
Discharging Time	10h	Type of Protection	IP65	Warranty	2 YEARS
Working Temperature	-25°C ~ 55°C	Protection Class	-		
Battery	6.4V, 4.5AH LiFePO4	Proteccion Class IK (shock resistance)	-		
	Lithium Battery				
Automatic wake up function light control	YES				

### SIZE



Designed by Aron Light in Portugal. Made in PRC

